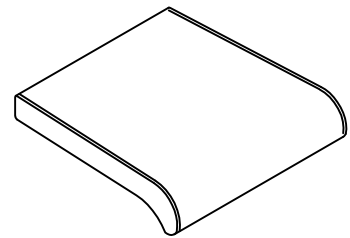
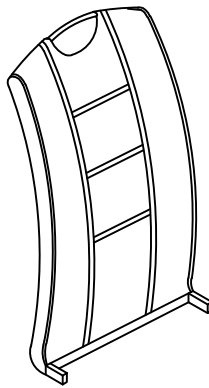
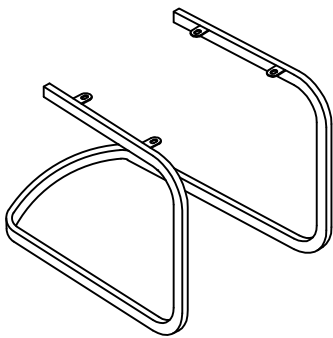


1

2

3



1	1x
2	1x
3	1x

A



M6x20mm

4x

B



M6x12mm

4x

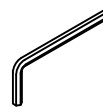
C



< Fì E< î FË { {

4x

D

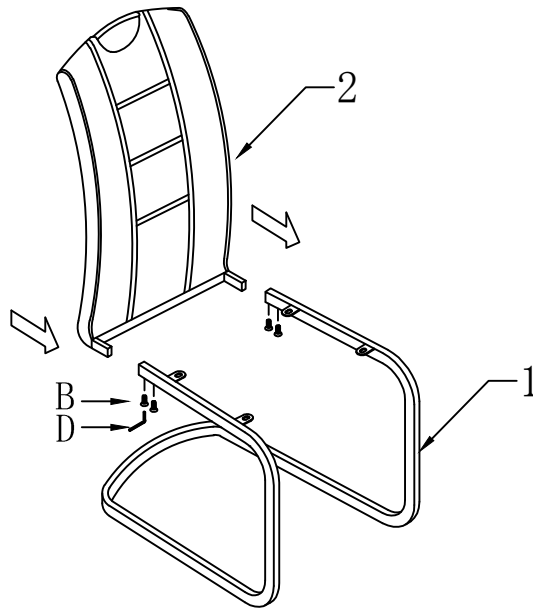
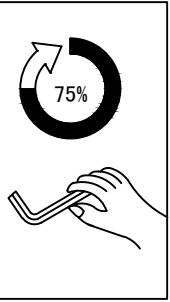


4mm

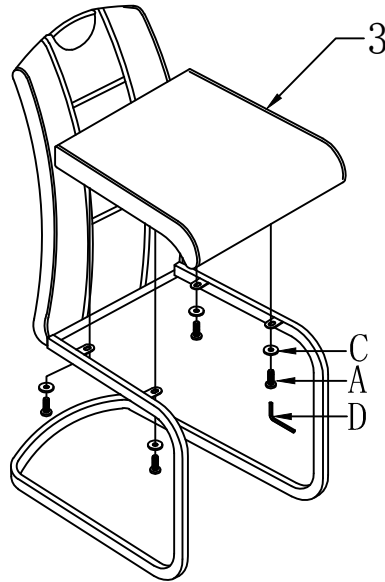
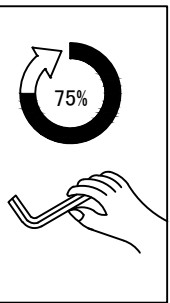
1x

# GC-1916 Dining Chair

1



2



3

