

ASSEMBLING INSTRUCTION

AX1PC



B X1PC



C X1PC



DX1PC



E X4PCS



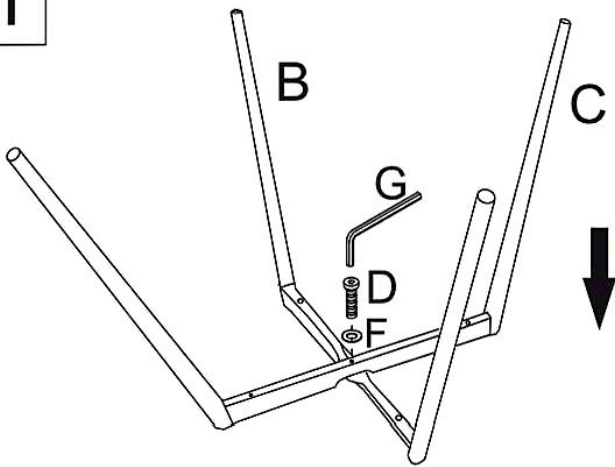
F X5PCS



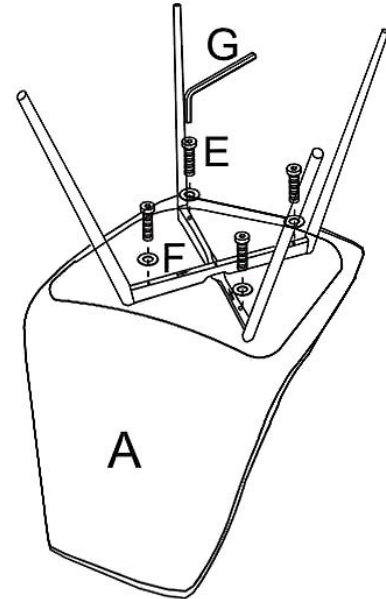
G X1PC



1



2



3

